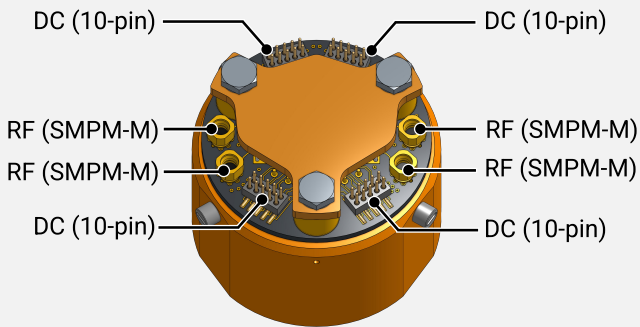


Technical Data Sheet

L-Type Rapid | Puck 36

Puck Connectivity - Perspective View



DC connectors:

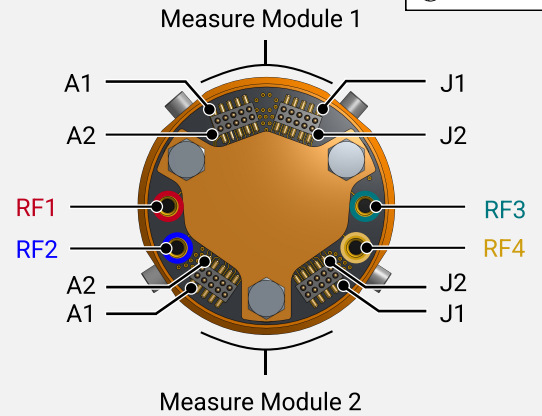
Puck connector: Mill-Max 852-10-010-30-001000

Matching receptacles: PCB: Harwin M50-3100545

Solder cup: Mill-Max 853-13-010-10-003000

RF connectors: SMPM - Male (Plug)

- Top View



Twisted pairs:

A1-A2, B1-B2, C1-C2, D1-D2, E1-E2, F1-F2, G1-G2, H1-H2, I1-I2, J1-J2

Sample Space

Height: 100 mm

Diameter: 36 mm

