

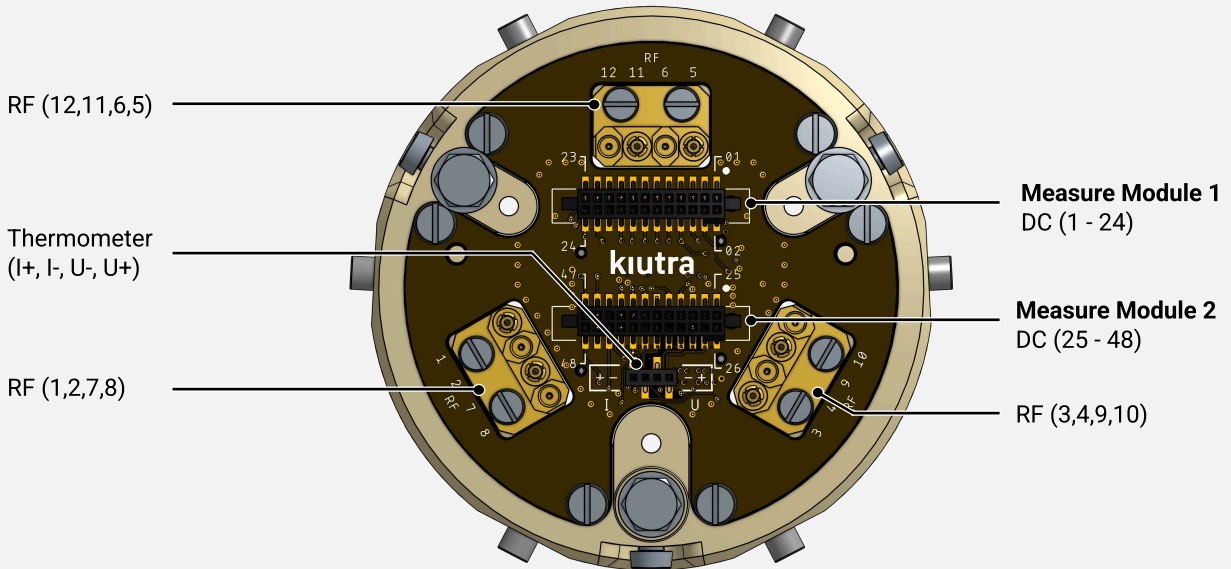
Technical Data Sheet

L-Type Rapid | Puck 55 connectivity

 Quantum Technologies

 Material Science

DC and RF lines



DC and RF connectors

RF connectors:

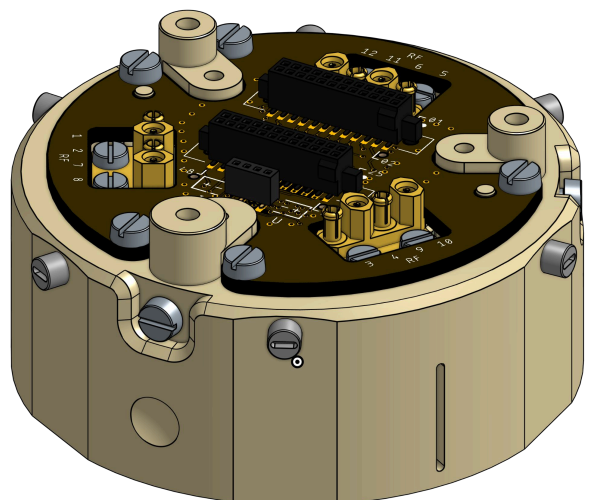
Puck: 3x Rosenberger Multiport Mini-Coax (4 channels)
Compatible: Rosenberger Mini-Coax cable pairs

DC connectors:

Puck: 2x Harwin 24 Pin Socket SMD M50-4301245
Compatible: 24 Pin Mill Max 852-10-024-10-003000
Compatible: 12 Pin Mill-Max 852-10-012-10-003000

Thermometer port:

Puck: Harwin 4 Pin Socket M50-3140445
Compatible: Mill-Max 850-10-004-10-003000



Technical Data Sheet

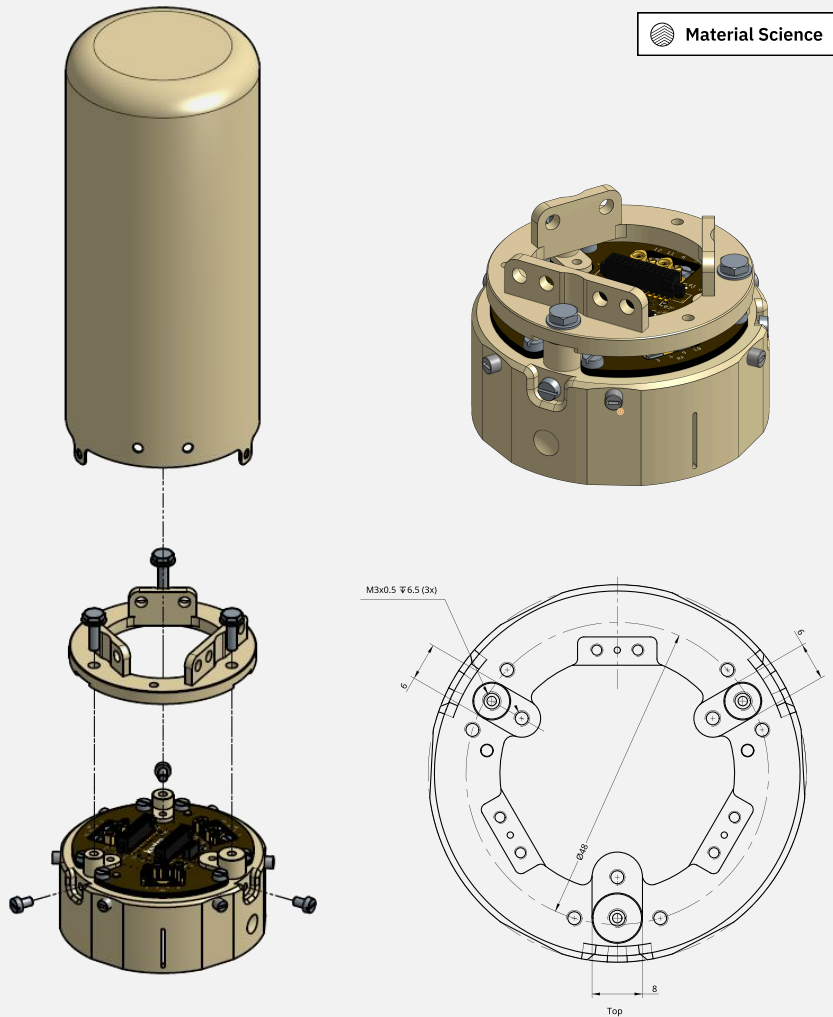
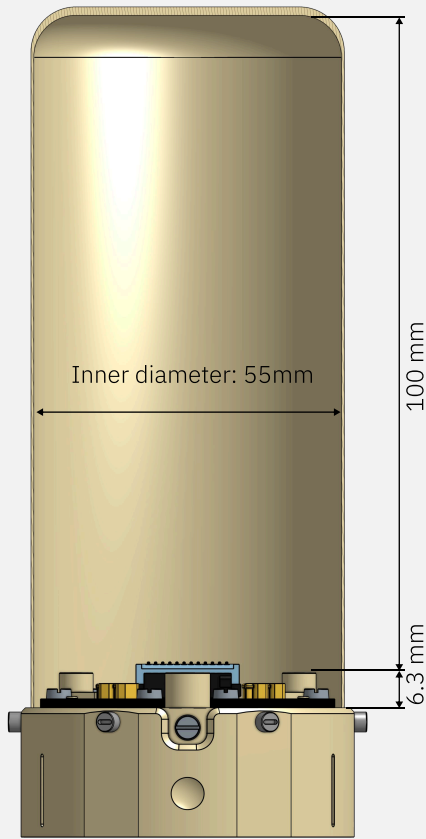
L-Type Rapid | Puck 55 | Dimensions and Radiation Shield

Quantum Technologies

Material Science

Sample Space

Diameter: 55 mm | Height: 100 mm



Standard interface:

